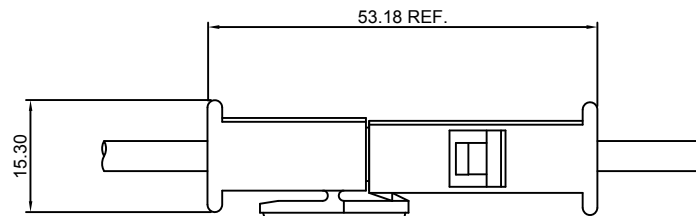


Specifications

- Current rating:20A AC,DC
- Voltage rating:600V AC,DC
- Temperature range:-25°C~+85°C
- Contact resistance:10mΩ Max.
- Insulation resistance:1000MΩ Min.
- Withstanding voltage:1800V AC/minute
- *Compliant with RoHS and REACH*
- *Meet the HF/Halogen Free,GWT/Glow wire Test (IEC60335-1) request,need to customize*
- *Contact HDGC for details*

Assembly layout





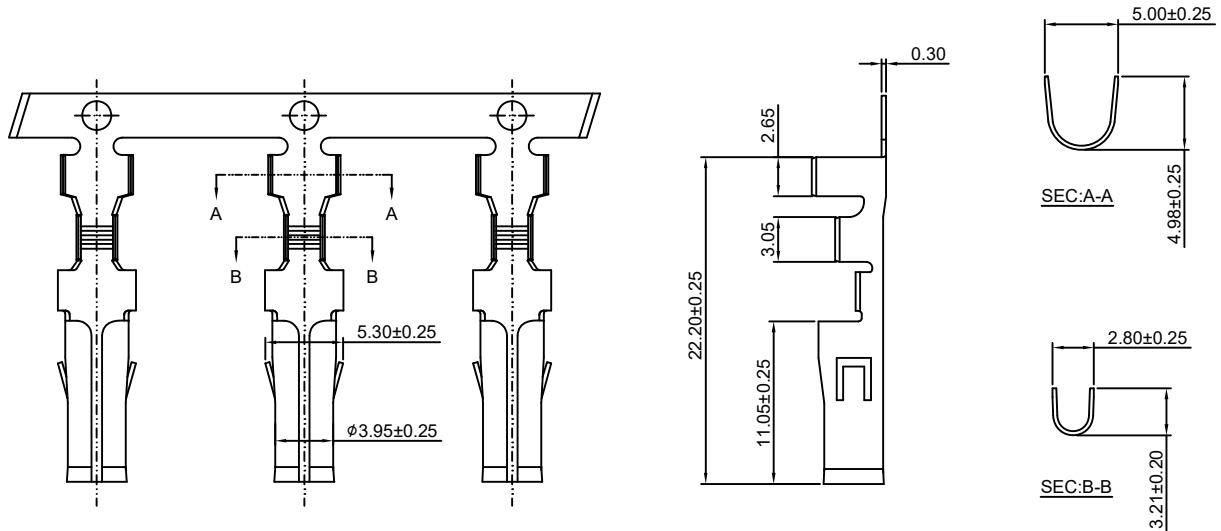
HDGC8381 Series 8.38mm (.330") Pitch Wire to Wire Connector

HDGC8381F-T

8.38mm pitch Crimp Terminal

Reference Informations:

*Used in HDGC8381HF-XP series Housing



Ordering information & Specifications:

Unit:mm

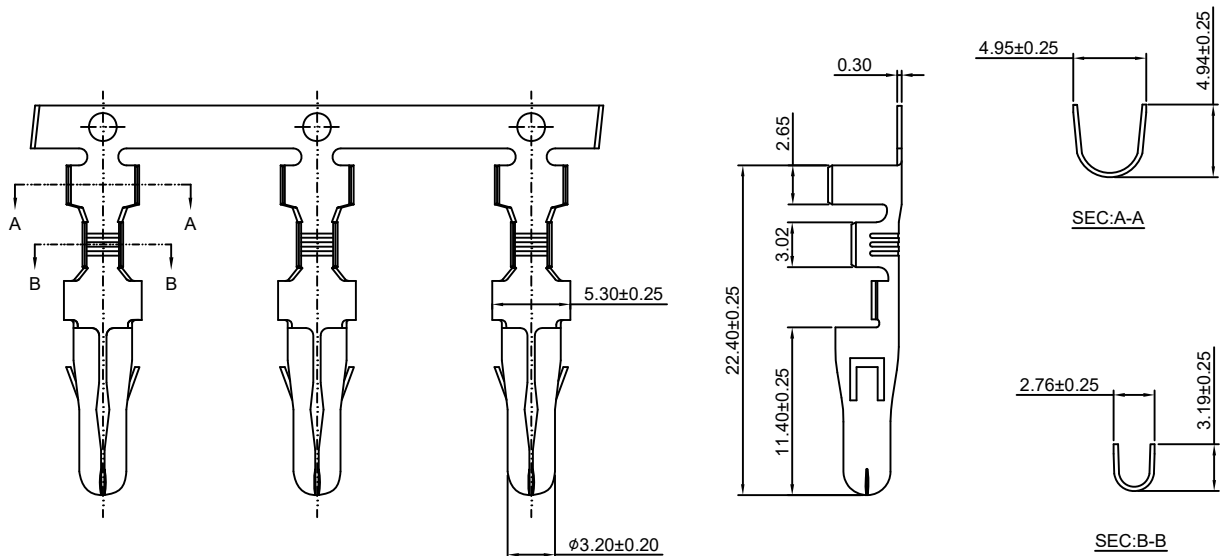
Part NO.	Wire Range	Insulation O.D.	Material	Finish	Qty/reel
HDGC8381F-TB	AWG#16-#18	3.10mm(max)	Brass	Tin over Nickel	3,000 PCS

HDGC8381M-T

8.38mm pitch Crimp Terminal

Reference Informations:

*Used in HDGC8381HM-XP series Housing



Ordering information & Specifications:

Unit:mm

Part NO.	Wire Range	Insulation O.D.	Material	Finish	Qty/reel
HDGC8381M-TB	AWG#16-#18	3.10mm(max)	Brass	Tin over Nickel	3,000 PCS



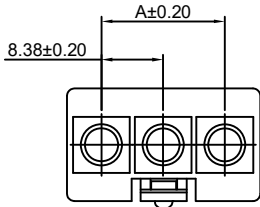
HDGC8381 Series 8.38mm (.330") Pitch Wire to Wire Connector

HDGC8381HF-XP

8.38mm pitch Housing

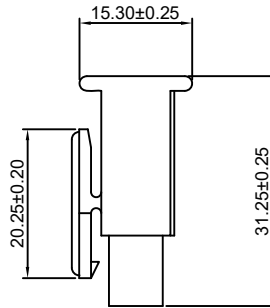
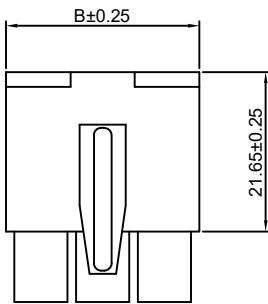
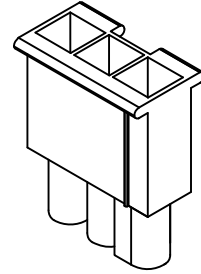
Reference Informations:

- *Material: Nylon 66, UL94V-2
- *Suitable HDGC8381F-T series Terminal
- *Mates with HDGC8381HM-XP series Housing
- *Color: Natural



Ordering Information:
HDGC8381HF-XP - ***
 1 2

- 1. Part No.
- 2. Material:
 (blank): Nylon 66, UL94V-2/Natural
 V0: Nylon 66, UL94V-0/White
 GWT: Nylon 66, UL94V-0, GWT 750°C



Ordering Information & Dimensions:

PART NO.	Dimensions	
	A	B
1P	----	9.29
2P	8.38	17.67
3P	16.76	26.05
4P	25.14	34.43

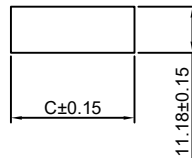
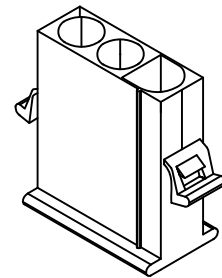
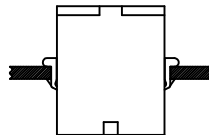
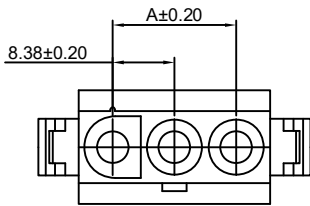
Unit: mm

HDGC8381HM-XP

8.38mm pitch Housing

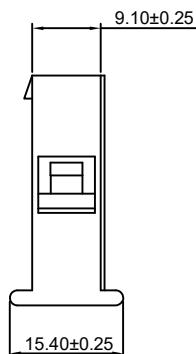
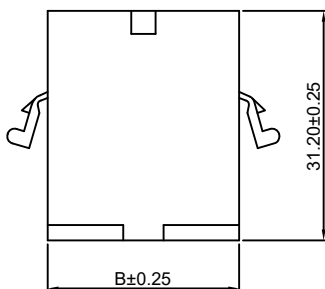
Reference Informations:

- *Material: Nylon 66, UL94V-2
- *Suitable HDGC8381M-T series Terminal
- *Mates with HDGC8381HF-XP series Housing
- *Color: Natural



Ordering Information:
HDGC8381HM-XP - ***
 1 2

- 1. Part No.
- 2. Material:
 (blank): Nylon 66, UL94V-2/Natural
 V0: Nylon 66, UL94V-0/White
 GWT: Nylon 66, UL94V-0, GWT 750°C



Ordering Information & Dimensions:

PART NO.	Dimensions		
	A	B	C
1P	----	9.29	13.24
2P	8.38	17.67	21.62
3P	16.76	26.05	30.00
4P	25.14	34.43	38.38

Unit: mm